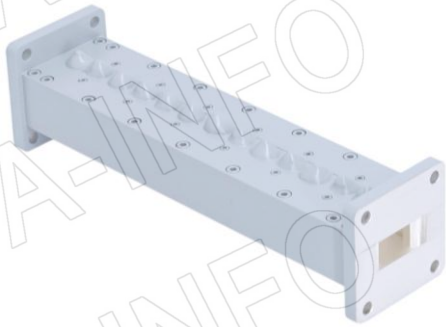


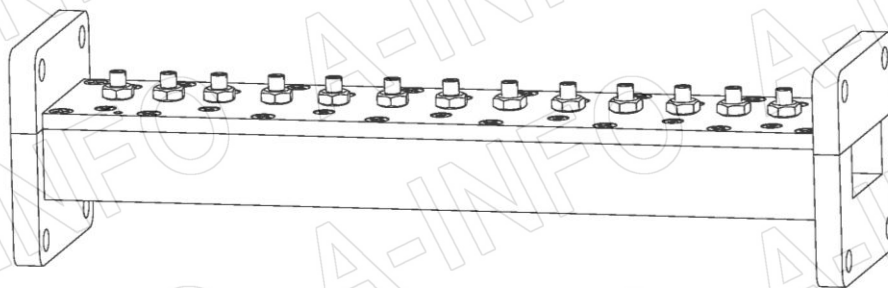
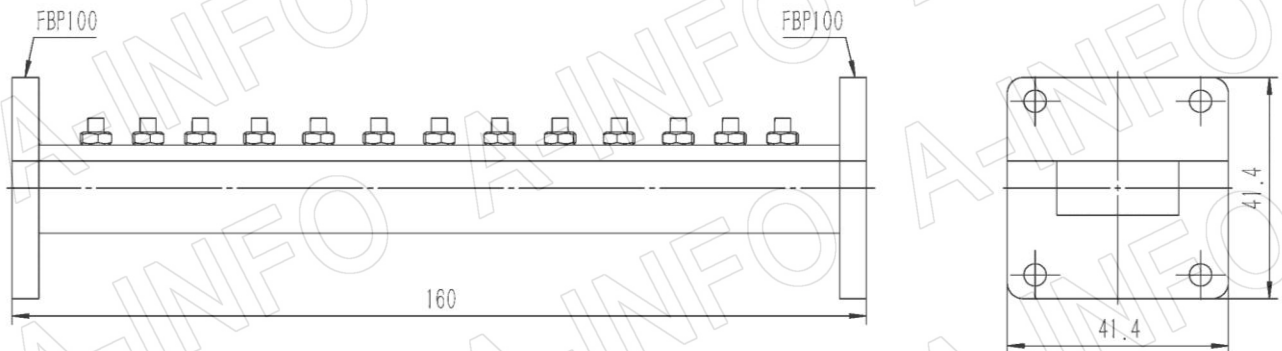
For reference only. See data sheet for the detailed specifications.

Technical Specification



| | |
|-----------------------|--------------------|
| EIA WR | WR90 |
| Center Frequency(GHz) | 9.25 |
| Pass Band(GHz) | 9.0 – 9.5 |
| Insertion Loss(dB) | 0.6 Max. |
| Rejection(dB) | 45 Min. @ F<8.5GHz |
| | 45 Min. @ F>10GHz |
| VSWR | 1.30:1 Max. |
| Average Power(W CW) | 200 |
| Peak Power(KW) | 43 |
| Flange | FBP100(UBR100) |
| Material | Al |
| Size(mm) | 160 x 41.4 x 41.4 |
| Net Weight(Kg) | 0.28 Around |

Outline Drawing (Size: mm)



AINFO Inc.

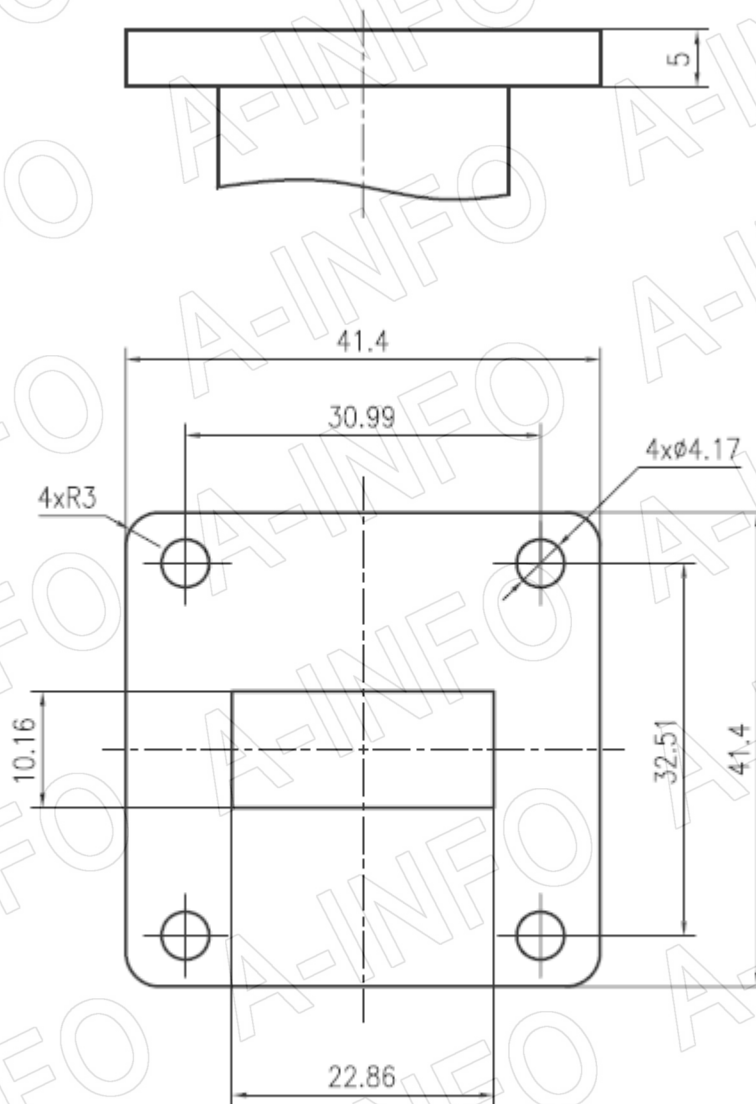
China(Beijing): Tel: (+86) 10-6266-7326,
 China(Chengdu): Tel: (+86) 28-8519-2786,
 USA: Tel: (+1) 949-639-9688,

Page 1 of 3

(+86) 10-6266-7327 Fax: (+86) 10-6266-7379
 (+86) 28-8519-3044 Fax: (+86) 28-8519-3068
 (+1) 949-639-9608 Fax: (+1) 949-639-9670

Website: www.ainfoinc.com
 Email: sales@ainfoinc.com

Flange Outline Drawing (Size: mm)



FBP100

AINFO Inc.

China(Beijing): Tel: (+86) 10-6266-7326,
 China(Chengdu): Tel: (+86) 28-8519-2786,
 USA: Tel: (+1) 949-639-9688,

Page 2 of 3

(+86) 10-6266-7327 Fax: (+86) 10-6266-7379
 (+86) 28-8519-3044 Fax: (+86) 28-8519-3068
 (+1) 949-639-9608 Fax: (+1) 949-639-9670

Website: www.ainfoinc.com
 Email: sales@ainfoinc.com

Test Results

Insertion Loss (S21) & Rejection (S12) & VSWR (S11 & S22)

